

ActivBoard+2 300 PRO Range

Product Specifications

INTERACTIVE WHITEBOARD SYSTEM

The ActivBoard+2 is the consummate attention grabber with integrated sound and a state-of-the-art short-throw projector. From the audience, eyes can't help but face forward.

ACTIVBOARD GENERAL SPECIFICATIONS

Internal Resolution	2730 points (lines) per inch
Output Resolution	200 points (lines) per inch
Tracking Rate	200 inches per second providing a fast response to pen commands
Output Rate	120 coordinate pairs per second
User Input	Cordless Battery-free pen incorporating tip switch and side switch for full mouse functionality (ActivPen)
Digitizing Technology	Passive Electromagnetic
Power Requirement	USB powered device
Connection to Computer	USB with supplied 5m (16ft) USB cable
Screen Surface	Low Glare Melamine
Certifications	UL, CE, FCC
Dual User Functionality	2 Teacher and 2 Student ActivPens included
Integrated USB Sound	Two integrated slim line speakers and amplifier (with controls, inputs and outputs)
Upgrade Option	Wireless connection to computer
Packed Contents List	ActivBoard, 2 ActivPens (Teacher), 2 ActivPens (Student), 5m (16ft) USB cable, 1 Amp PSU, Installation Guide, Access to ActivInspire Professional Edition via download from Promethean Planet; mains cable (power cord) shipped separately ActivStudio or ActivPrimary to be included with ActivBoard shipped to the following countries: Czech Republic, Greece, Hungary, Indonesia, Japan, Malaysia, Malta, Poland, Romania and Slovenia



ACTIVBOARD SPECIFICATIONS

Model	ActivBoard 378 Pro	ActivBoard 387 Pro	ActivBoard 395 Pro
ActivBoard Size	78in	87in	95in
Resolution	12800 x 9200	14600 x 9200	17200 x 9200
Screen Formats	4:3	16:10	16:9
Overall Dimensions	1868mm x 1329mm (73.5in x 52.3in)	2105mm x 1329mm (82.9in x 52.3in)	2412mm x 1329mm (95in x 52in)
Active Area Dimensions	1628mm x 1175mm (64in x 46in)	1865mm x 1175mm (73in x 46in)	2172mm x 1175mm (86in x 46in)
Active Area Diagonal	2000mm (78.7in)	2196mm (86.5in)	2462mm (96.9in)
Actual Image Diagonal	1958mm (77.1in)	2193mm (86.4in)	2397mm (94.4in)
Board Weight	25kg (55lb)	27kg (60lb)	31kg (68lb)
Packed Weight	40kg (88lb)	44.5kg (98lb)	50kg (110lb)

RECOMMENDED COMPUTER REQUIREMENTS

Operating Systems	Windows Vista, XP; MAC OS 10.4.11 and above, Linux Ubuntu 8.04
Installation	ActivBoard+2 system requires installation by an authorized Promethean installer

ADJUSTABLE FRAME SPECIFICATIONS

Board Size	Accommodates ActivBoards 378 Pro, 387 Pro and 395 Pro
Height Settings	Height-adjustable mount, with 600mm (24in) of adjustment from 400mm (16in) to 1000mm (39in). Top limit stop is fitted if the full range of movement is not required/appropriate. Height adjustment is powered by an electrical motor and is operated by using a remote control unit attached to the stand.
Projector Mount	Aluminium arm, extends 1670mm (67.5in) from the wall, adjusts with the height of the Activboard reducing the need for specific re-calibration following height adjustment.
Room Height Requirements	Min. 2.68m (105.5") for full range operation
Power	Integrated 'power management' system for Activboard and Projector; frame only
Weight (approx.)	Approx. 58kg (127.9lb) excl. board, projector and cabling
Complete System Weight	Approx. 88kg (194lb) (when ActivBoard 378 Pro fitted)
Cable Kit Contents	Connectivity box with inputs for 2 x PC inputs (VGA & Audio RCA), USB input, S-video and composite video, plus auxiliary audio RCA inputs. Box also has VGA switch for PC inputs and volume control for audio output cable. Box is mounted to the frame and can be placed on either side of the system. 2m (6ft) USB patch cable (to connect computer to face plate). 2m (6ft) 3.5mm Jack to RCA cable for PC audio input (to connect computer to face plate). 2m (6ft) VGA cable provided in the projector box (to connect the computer to the face plate).
Pack Weights & Dimensions	<p>Box 1 of 4: 23.4kg (51.5lb) Dimensions: 2030mm x 305mm x 230mm (79.9in x 12in x 9.1in) Contents: Extrusions and boom assembly</p> <p>Box 2 of 4: 28.1kg (61.8lb) Dimensions: 1270mm x 1050mm x 195mm (50lb x 41.3lb x 7.7in) Contents: Projector plate and accessories</p> <p>Box 3 of 4: 15.6kg (34.3lb) Dimensions: 1180mm x 245mm x 180mm (46.5lb x 9.6lb x 7.1in) Contents: Actuator cover and frame cables</p> <p>Box 4 of 4: 2.5kg (5.5lb) Dimensions: 360mm x 245mm x 172mm (14.2in x 9.6in x 6.8in) Contents: Cable wall box</p>

PROJECTOR SPECIFICATIONS

Model	PRM-20A (LCD)	PRM-25 (DLP)
Native Resolution	WXGA (1280 x 800)	WXGA (1280 x 800)
Compressed Resolution	Maximum UXGA (1600 x 1200)	Maximum UXGA (1600 x 1200)
Typical Colors	16.77 million colors	16.77 million colors
Brightness (ANSI lumens)	1500 ANSI (normal), 2000 ANSI (high)	1600 ANSI (normal), 2000 ANSI (high)
Contrast Ratio	500:1	2000:1
Noise Level	31dBA (normal), 38dBA (high brightness mode)	29db (normal) 34db (high brightness mode)
Dimensions (w x d x h)	320mm x 148mm x 301mm (12.6in x 5.8in x 11.9in)	335mm x 102mm x 256mm (13.2in x 4.0in x 10.1in)
Weight	3.3kg (7.3lb)	3.45kg (7.6lb)
Aspect Ratio	16:10 (native), 4:3, 16:9	16:10 (native), 4:3, 16:9
Power Consumption	250W (7W standby)	240W (normal) <1W (standby)
Device Type	LCD technology	DLP Technology
Focus	Manual Focus	Manual Focus
Zoom	Digital Zoom	Digital Zoom
Focal Length	6:60 F=1.80	7.27 F=2.86
Projection Distance	0.54m ~ 1.22m (21.3in ~ 48in)	0.54m ~ 1.22m (21.3in ~ 48in)
Projection Screen Size	1.27m ~ 1.22m (50in ~110in)	1.27m ~ 1.22m (50in ~110in)
Lamp Type	200W lamp ~ (185 ~ 150W)	230W lamp (190~180W)
Lamp Life	3000 hrs (normal); 2000 hrs (high)	4000hrs (normal) 2500hrs (high)
Keystone Correction	Vertical: max ± 20°	Vertical: max.±15°
Operating Temperature	5°C ~ 35°C (41°F ~ 95°F)	5°C ~ 35°C (41°F ~ 95°F)
Power Supply Voltage	100 ~120V/200 ~ 240V AC, 50/60Hz	100 ~120V/200 ~ 240V AC, 50/60Hz
Horizontal Scan Rate	15kHz ~100kHz	15Hz ~ 90kHz
Vertical Scan Rate	50Hz ~100Hz	50Hz ~ 85 Hz
Computer Compatibility	IBM PC and Compatibles; Apple Macintosh, iMac, and VESA Standards WSXGA+ (1,680 x 1,050), WXGA+ (1,440 x 900), WXGA (1,280 x 800, 1,280 x 768), UXGA (1,600 x 1,200), SXGA+ (1,400 x 1,050), SXGA (1,280 x 1,024), XGA (1,024 x 768), SVGA (800 x 600), VGA (640 x 480)	IBM PC and Compatibles; Apple Macintosh, iMac, and VESA Standards WSXGA+ (1,680 x 1,050), WXGA+ (1,440 x 900), WXGA (1,280 x 800, 1,280 x 768), UXGA (1,600 x 1,200), SXGA+ (1,400 x 1,050), SXGA (1,280 x 1,024), XGA (1,024 x 768), SVGA (800 x 600), VGA (640 x 480)

Continued on next page

PROJECTOR SPECIFICATIONS (CONTINUED)

Video Compatibility	NTSC (3.58/4.43), PAL (B/D/G/H/I/M/N), SECAM (B/D/G/K/K1/L), HDTV (720p, 1080i, 1035i), EDTV (480p, 575i), SDTV (480i, 576i)	NTSC (3.58/4.43), PAL (B/D/G/H/I/M/N), SECAM (B/D/G/K/K1/L), HDTV (720p, 1080i, 1035i), EDTV (480p, 575i), SDTV (480i, 576i)
Inputs	RGB/Component Scart RGB (Dsub15) x 1 RGB in or Monitor out (Dsub 15) x 1 S-Video (Mini DIN 4-pin) x 1 Composite Video (RCA) x 1 Audio (RCA) x 2 (R,L mono) Audio mini jack (stereo) x 1 Networking LAN RJ45 x 1 Serial (mini DIN 8-in) x 1	RGB/Component Scart RGB (Dsub15) x 1 Monitor out or RGB In (Dsub 15) x 1 HDMI V.1.3 only for Video & Audio USB control S-Video (Mini DIN 4-pin) x 1 Composite Video (RCA) x 1 Audio (RCA) x 2 (R,L mono) Audio mini jack (stereo) x 1 Networking LAN RJ45 x 1 Serial (mini DIN 8-in) x 1
Color	PRM-20A Orange PRM-20A-S Silver	Grey
Security	Kensington Lock; PIN code lock and logo PIN lock	Kensington Lock; PIN code lock and logo PIN lock
On-screen Menu	Chinese, Dutch, English, Finnish, French, German, Hungarian, Italian, Japanese, Korean, Polish, Portuguese, Romanian, Russian, Spanish, Swedish	Arabic, Chinese (Simplified), Chinese (Traditional), Czech, Dutch, English, Finnish, French, German, Greek, Hungarian, Italian, Korean, Norwegian, Polish, Portuguese, Russian, Spanish, Swedish, Turkish
Packed Contents List	Power cord, computer cable (Dsub15-Dsub15), wireless remote, owner's manual (CD-ROM & Quick Start Guide)	Power cord, computer cable (Dsub15-Dsub15), wireless remote, owner's manual (CD-ROM & Quick Start Guide)

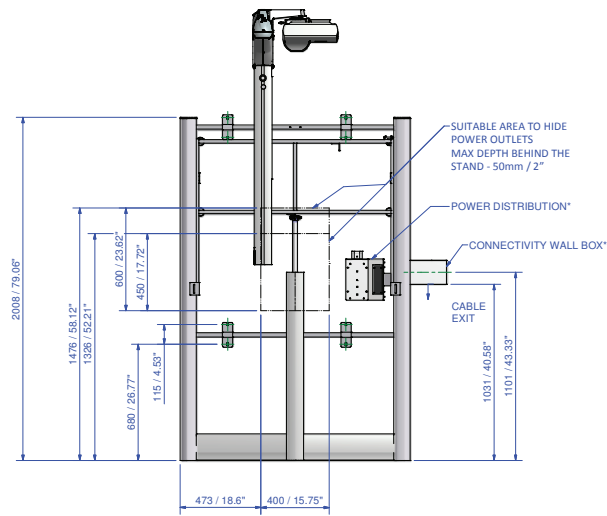
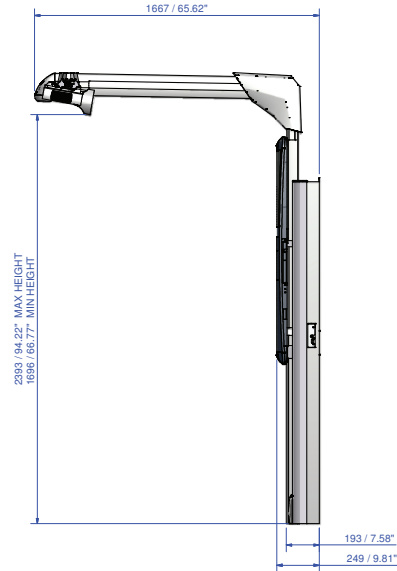
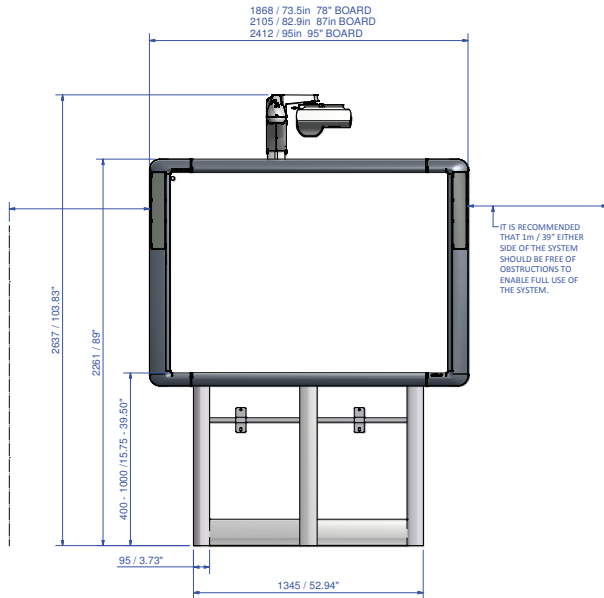
STANDARD WARRANTY AND SUPPORT

ActivBoard	Five Year* (Return-To-Base)
Adjustable Stand	Five Year*
PRM-20A and PRM-25	Three year*
ActivPen	One Year

Knowledgebase: www.prometheankb.com

*Conditions may apply

TECHNICAL DRAWING SPECIFICATIONS



* CONNECTIVITY BOX AND POWER DISTRIBUTION CAN BE MOUNTED ON EITHER SIDE OF THE SYSTEM.

